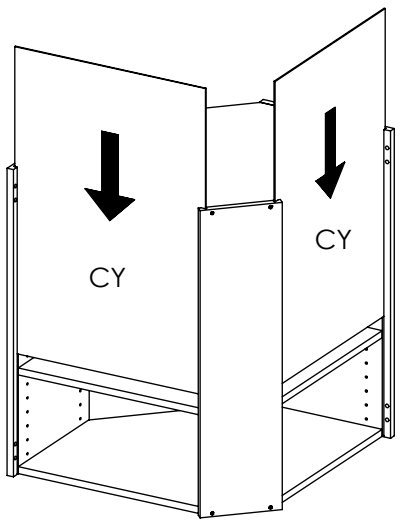
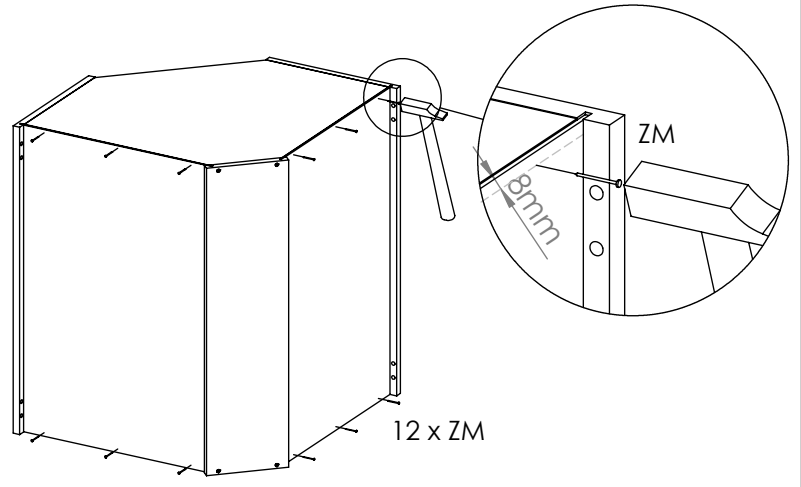


5

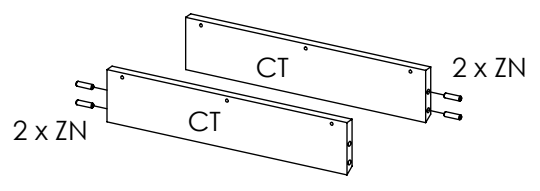


6

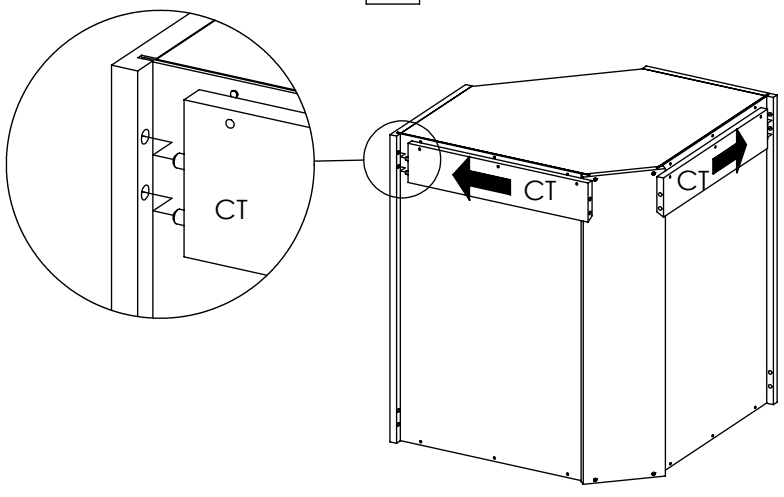


12 x ZM

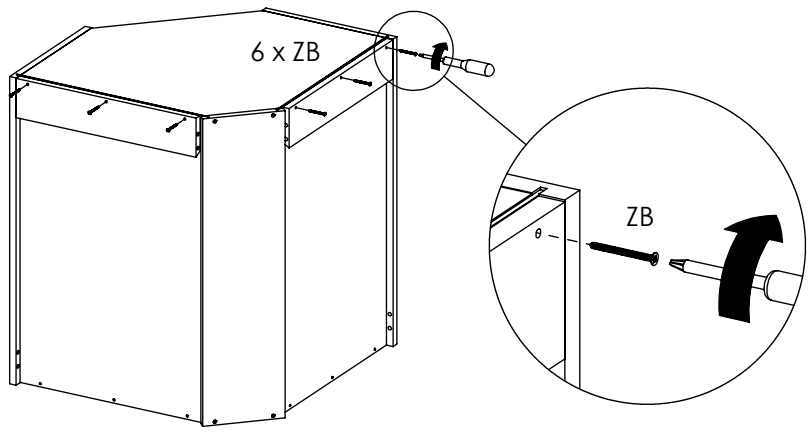
7



8



9



6 x ZB

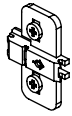
ZB

OD61- OHD61-

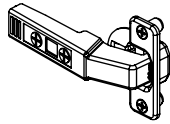
SV011



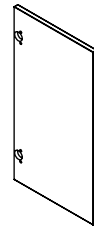
2 x ZY



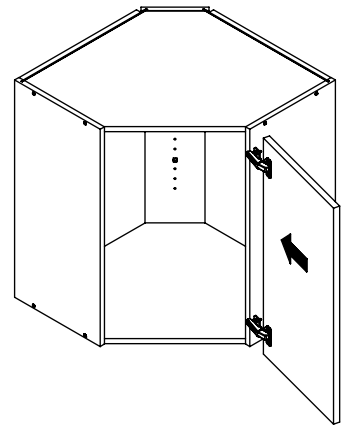
2 x HA



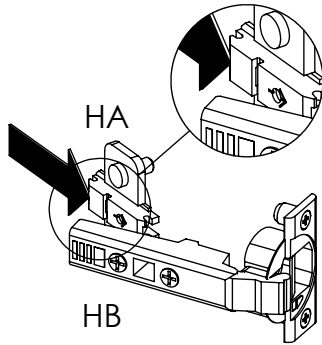
2 x HB



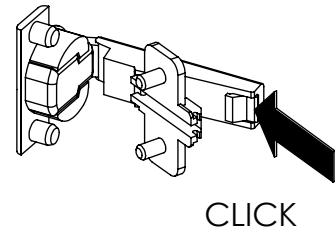
1 x BN



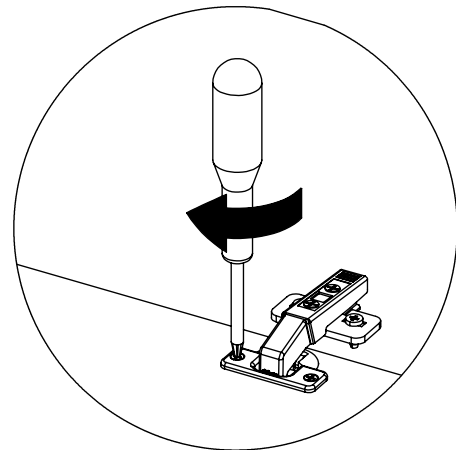
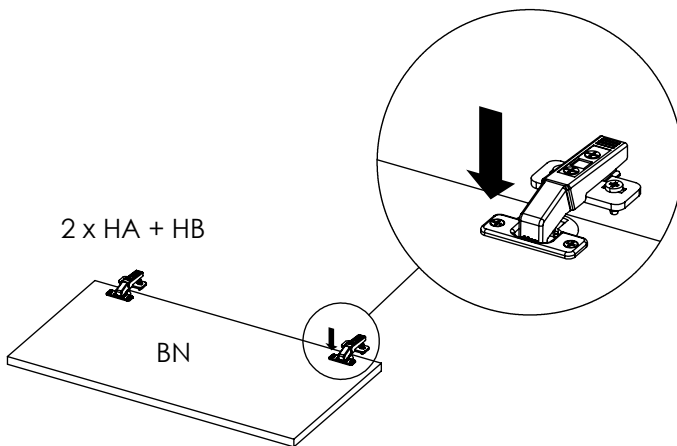
10a



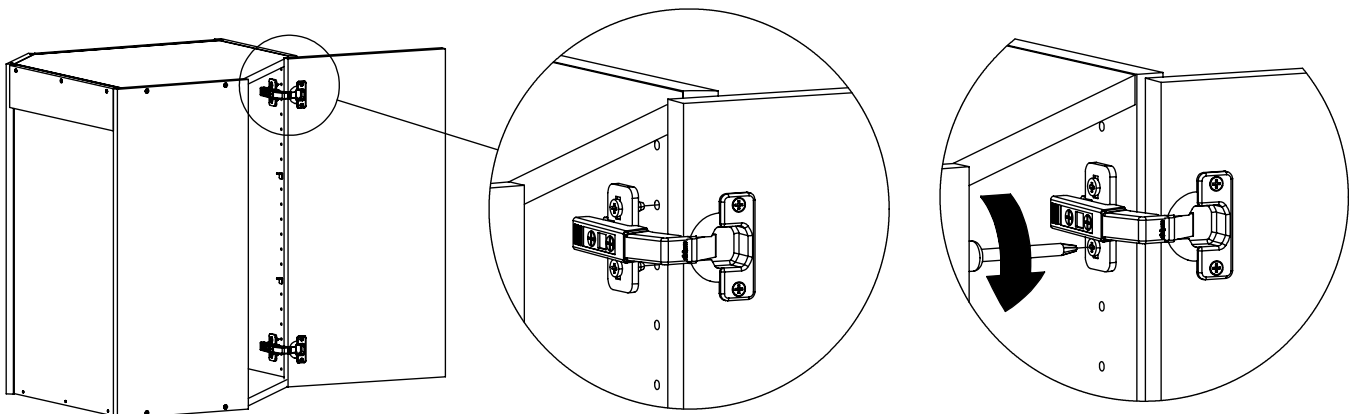
10b



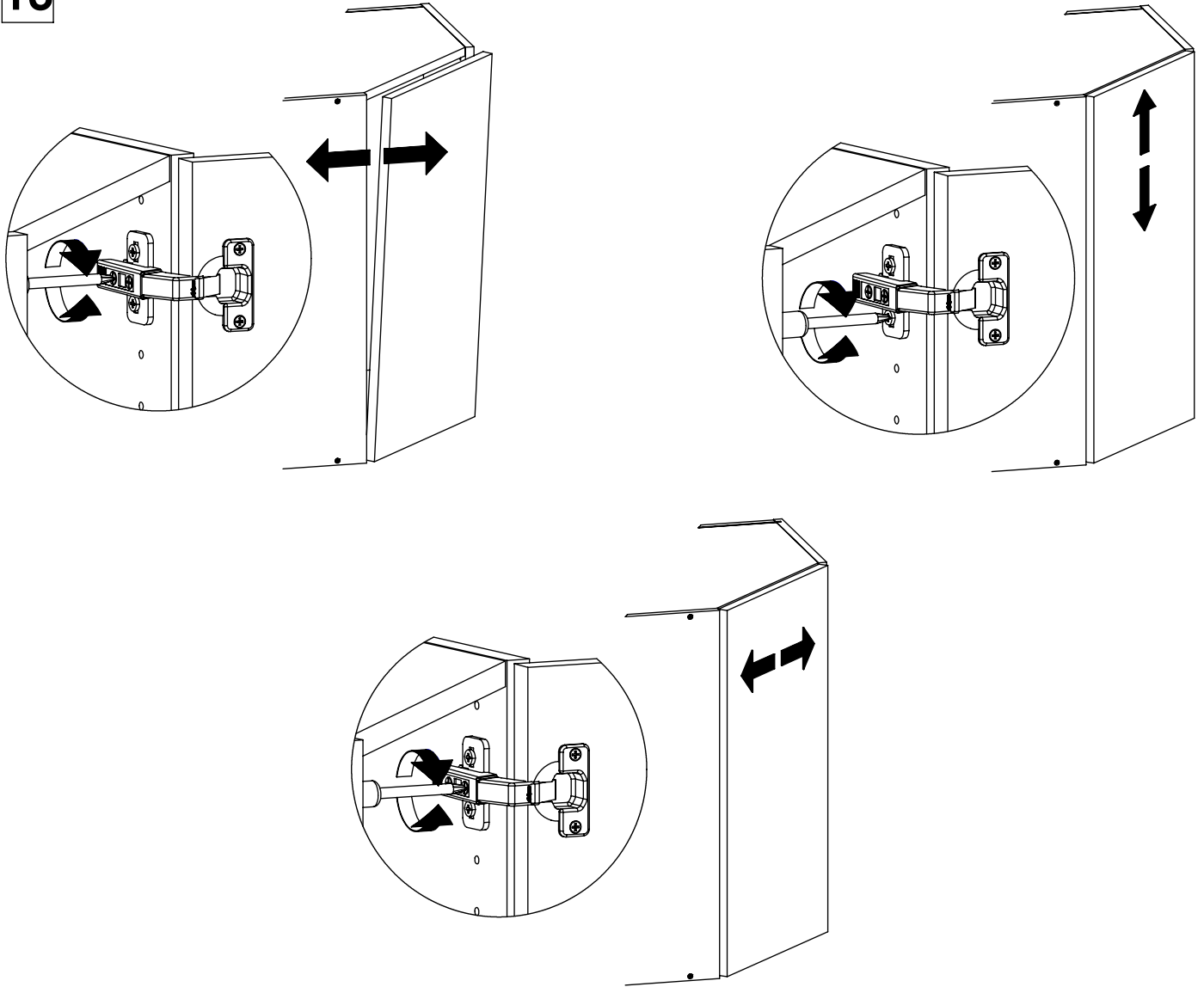
11



12



13



14

